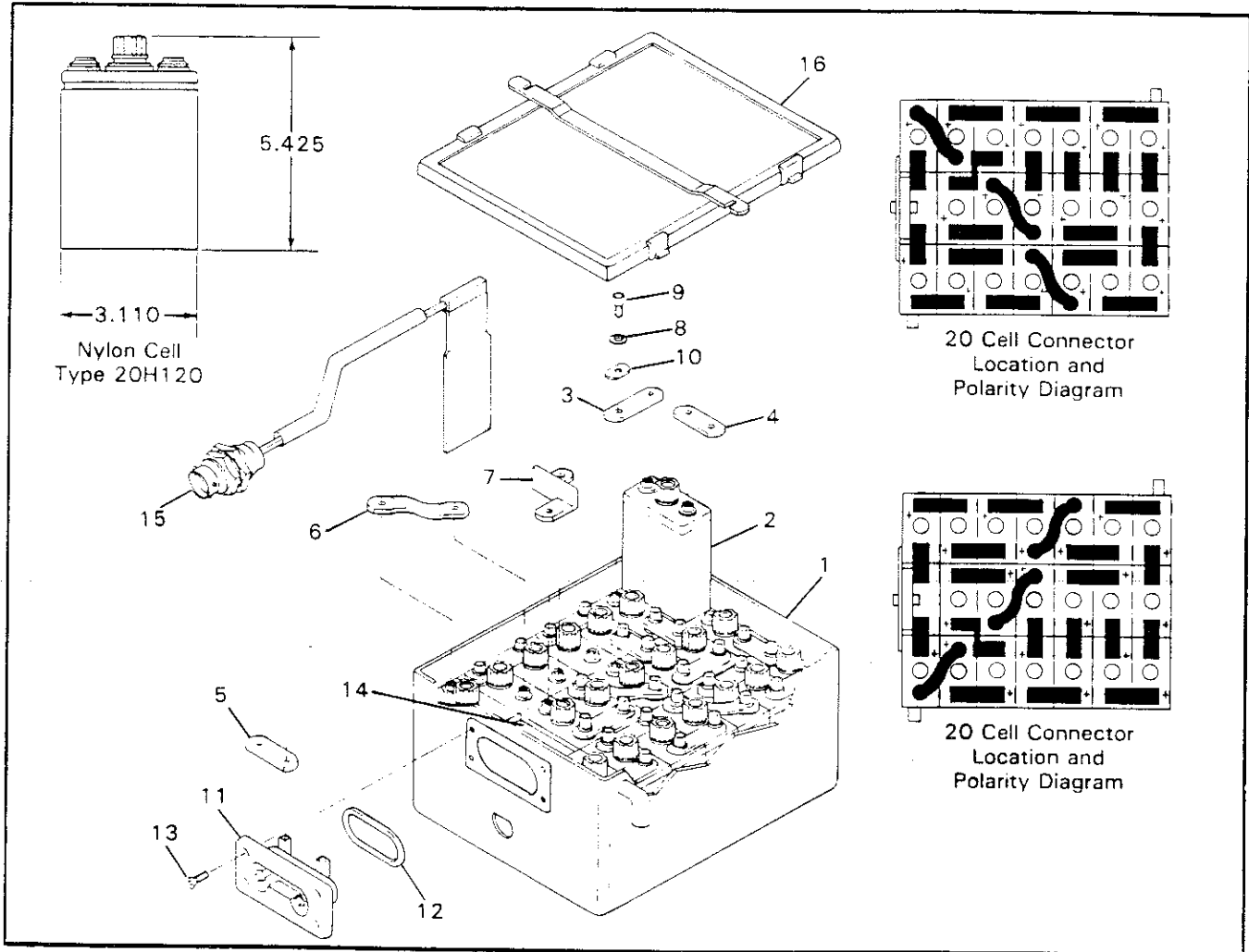


# Marathon Batteries

## Sintered-Plate Nickel-Cadmium Aircraft Batteries

Parts List  
ATCA-21H  
TCA-21H-20



### Model ATCA-21H, TCA-21H-20 Battery Replacement Parts

Item Description	Part Number	Qty	Part Number	Qty
1 Can Assembly	D29572-000	1	D28894-000	1
2 Cell Assembly	C28087-001	20	C28087-001	20
3 Connector	C16102-010	10	C16102-010	10
4 Connector	C16102-018	5	C16102-018	5
5 Connector	C16102-083	2	C16102-083	2
6 Connector	C16167-003	3	C16167-003	3
7 Connector	C15089-014	1	C15089-013	1
8 Bellville Spring	C16128-001	42	C16128-001	42
9 Screw, Socket Head	C10488-020	42	C10488-020	42
10 Washer, Flat	B23591-001	42	B23591-001	42
11 Receptacle Assembly	D16163-011	1	D16163-011	1
12 Ring, Rectangular	B24583-001	1	B24583-001	1
13 Screw, Flat Head	B23084-001	4	B23084-001	4
14 Spacer	C29003-011	1	C29003-005	1
15 Temperature Sensors	C29573-001	1	C28900-002	1
16 Cover Assembly	D27286-000	1	D27286-000	1



8301 IMPERIAL DRIVE • P.O. BOX 8233 • WACO, TEXAS 76710  
DIVISION OF MARATHON MANUFACTURING COMPANY • HOUSTON, TEXAS 77002