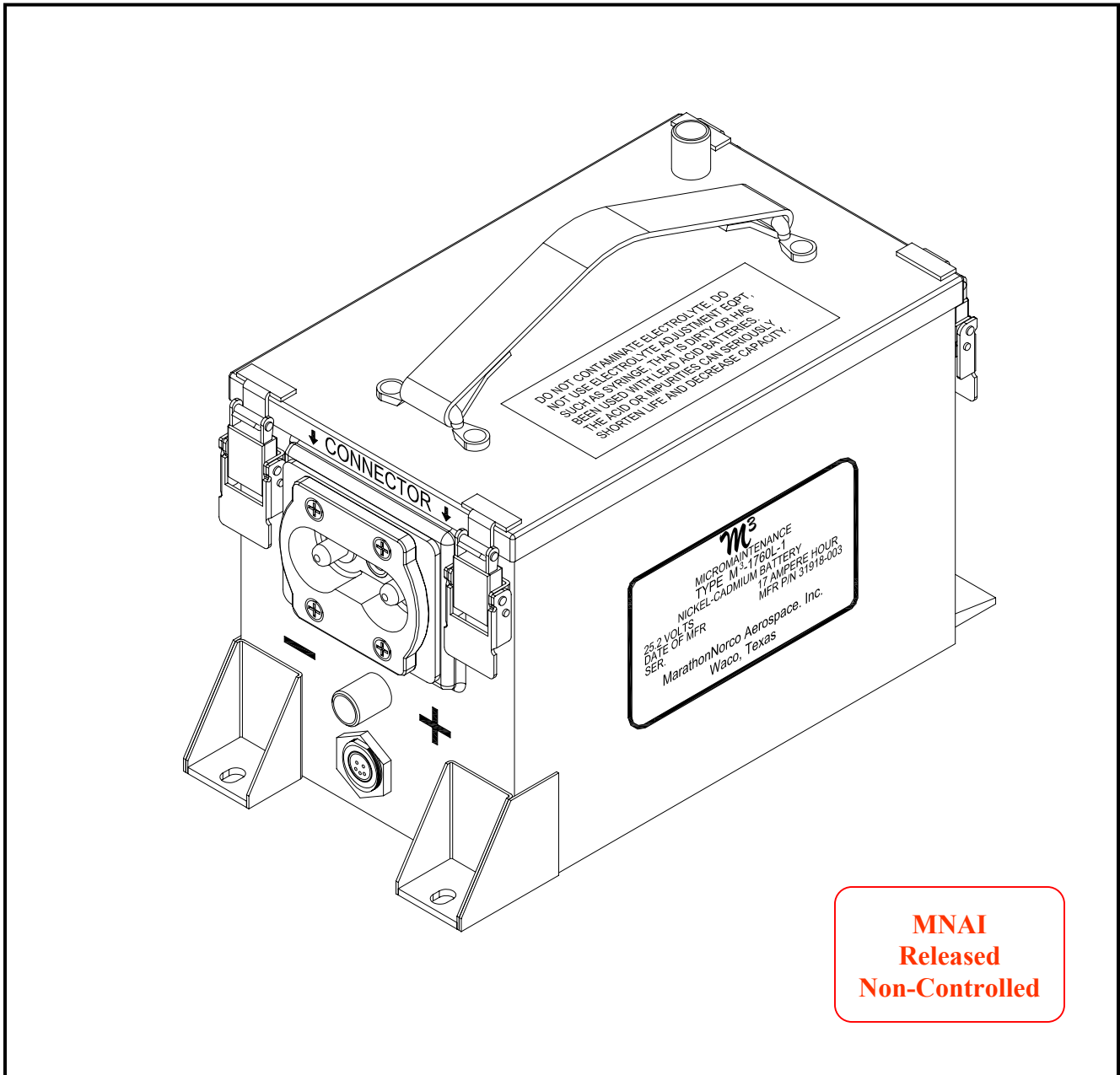




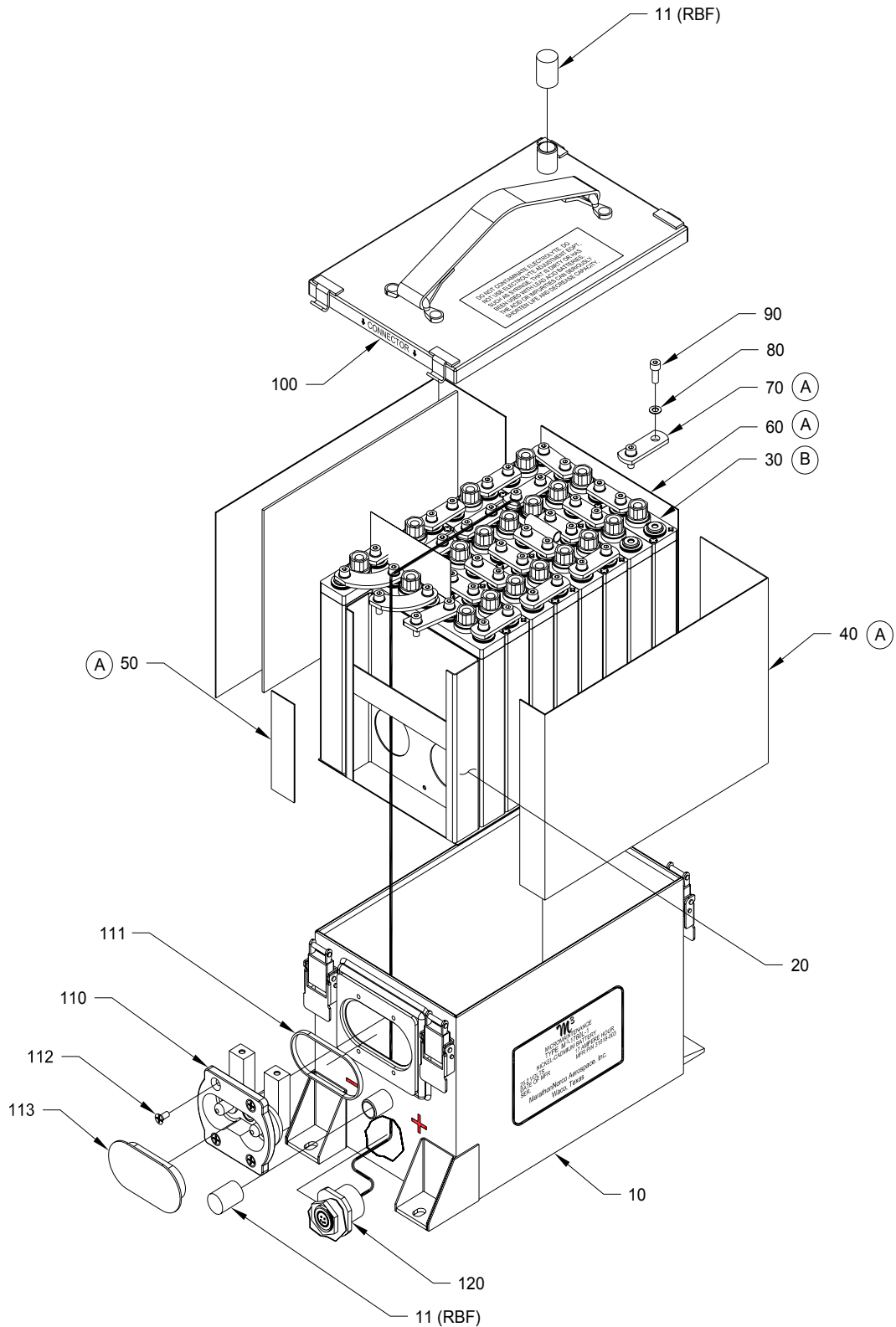
Nickel-Cadmium Aircraft Batteries

Model M³-1760L-1 Battery Replacement Parts



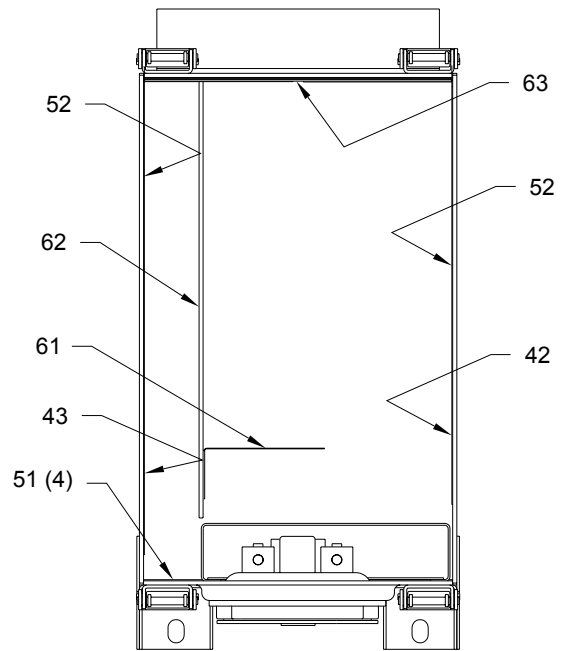
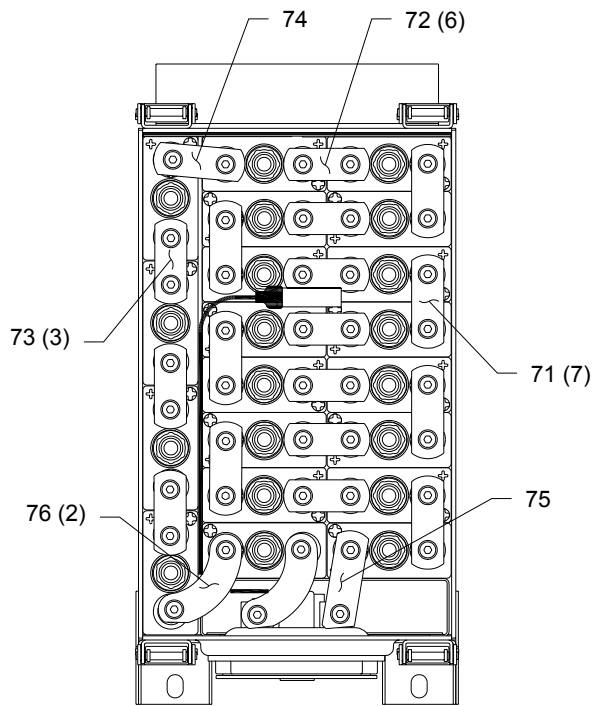
MarathonNorco Aerospace

PO Box 8233, Waco, Texas 76714-8233
8301 Imperial Dr., Waco, Texas 76712
Phone (254) 776-0650 / Fax (254) 776-6558

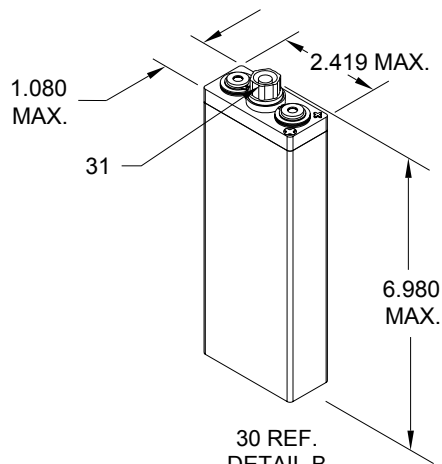


MarathonNorco Aerospace

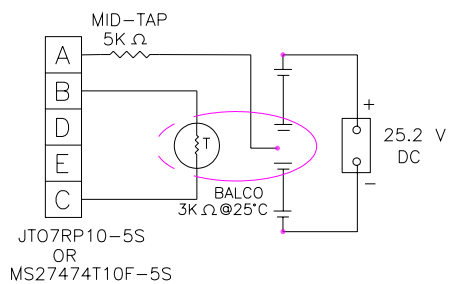
PO Box 8233, Waco, Texas 76714-8233
 8301 Imperial Dr., Waco, Texas 76712
 Phone (254) 776-0650 / Fax (254) 776-6558



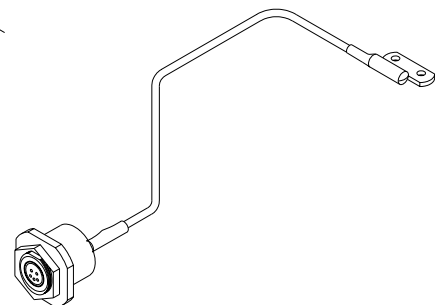
40-70 REF.
DETAIL A



30 REF.
DETAIL B



SCHEMATIC



120 REF.
DETAIL C

MarathonNorco Aerospace

PO Box 8233, Waco, Texas 76714-8233
8301 Imperial Dr., Waco, Texas 76712
Phone (254) 776-0650 / Fax (254) 776-6558

ILLUSTRATED PARTS LIST

Figure item	Part Number	Nomenclature	Units Per Assy
1	31918-003	BATTERY, M ³ -1760L-1 20-17M ³ 100 NI-CD (31919-003)	1
10	40579-002	CAN ASSEMBLY, MARKED	1
11	15766-007	DUST CAP-VENT TUBE (RBF)	2
20	30522-004	ASSEMBLY, SPACER	1
30	32769-001	CELL ASSEMBLY, 17M ³ 100 (32770-001)	20
31	25529-004	FILLER CAP, CAP & VENT	20
-40		LINERS	
41	32011-001	LINER, BOTTOM	1
42	32009-001	LINER, RH SIDE	1
43	32010-001	LINER, LH SIDE	1
-50		SHIM	
51	9988-112	SHIM	4
52	9988-165	SHIM	2
-60		BARRIERS	
61	9988-108	BARRIER	1
62	9988-120	BARRIER	1
63	9988-311	BARRIER	1
-70		CONNECTOR	
71	16102-162	CONNECTOR	7
72	16102-163	CONNECTOR	6
73	16102-164	CONNECTOR	3
74	16102-165	CONNECTOR	1
75	16102-224	CONNECTOR	1
76	30452-001	CONNECTOR	2
80	16128-028	WASHER, BELLEVILLE	42
90	10488-020	SCREW, SOCKET HD. CAP #10-32	42
100	40496-003	COVER, MARKED	1
110	27904-004	RECEPTACLE, ASSEMBLY	1
111	24583-001	RING, RECTANGULAR	1
112	23084-001	SCREW, FLAT HD. SEMS 8-32 x 3/8	4
113	26916-006	DUST CAP-MAIN ELECTRICAL (RBF)	1
120	31023-006	TEMPERATURE SENSOR	1

RBF - REMOVE BEFORE FLIGHT



PO Box 8233, Waco, Texas 76714-8233
8301 Imperial Dr., Waco, Texas 76712
Phone (254) 776-0650 / Fax (254) 776-6558

IPL-1040