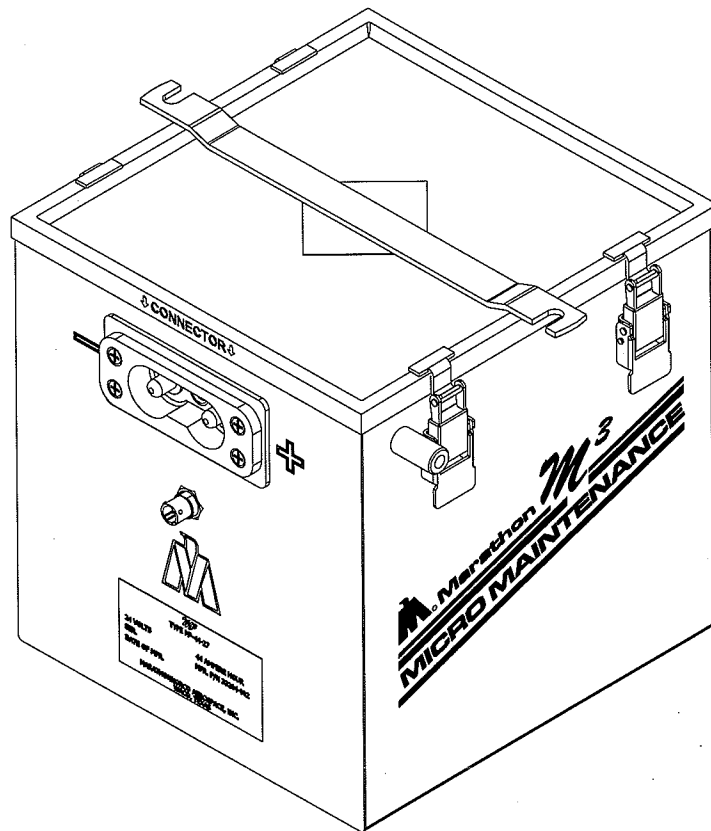
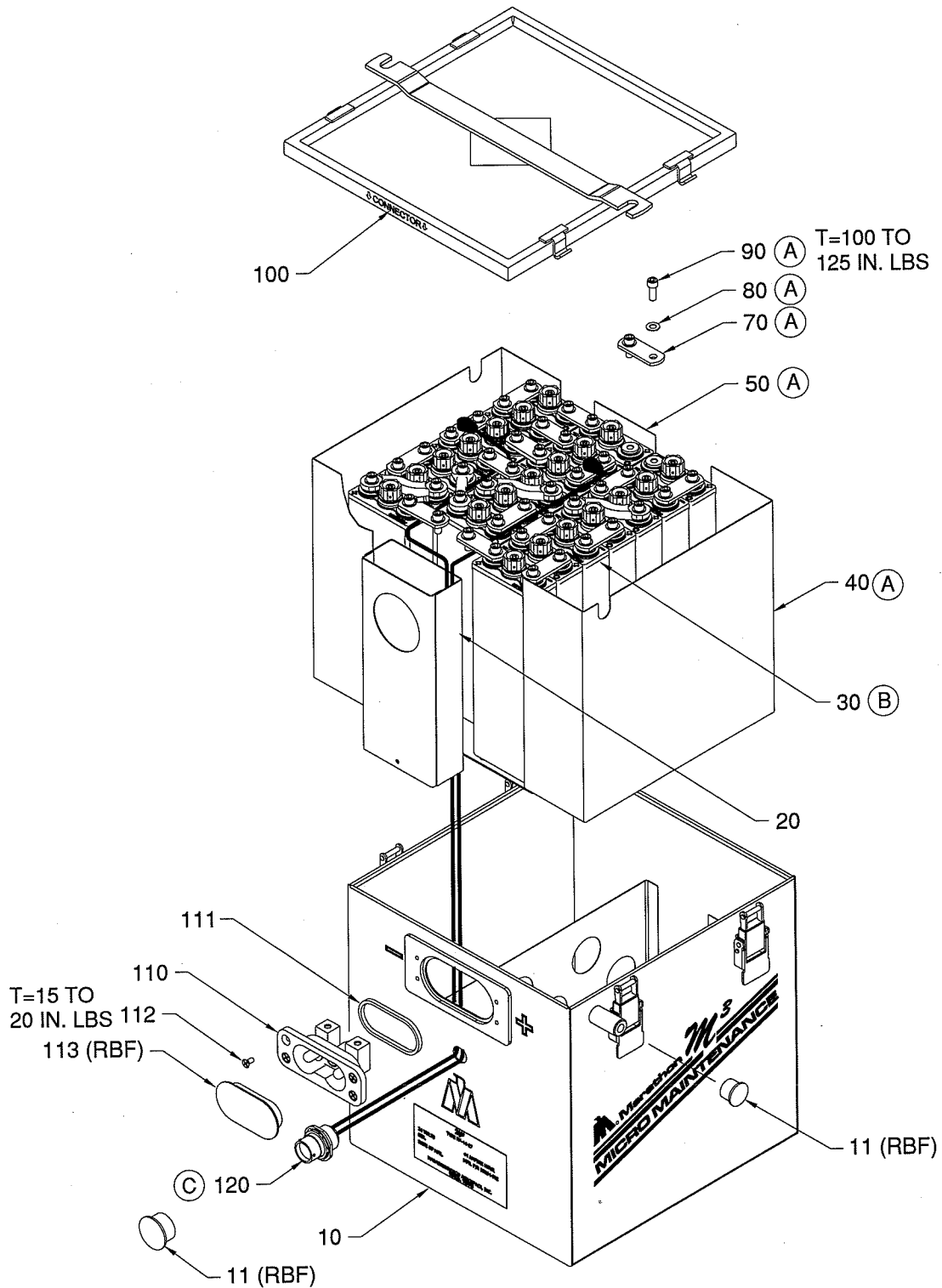




Nickel-Cadmium Aircraft Batteries
Model M³-44-27 Battery Replacement Parts



MNAI
Released
03/24/2011
Non-Controlled

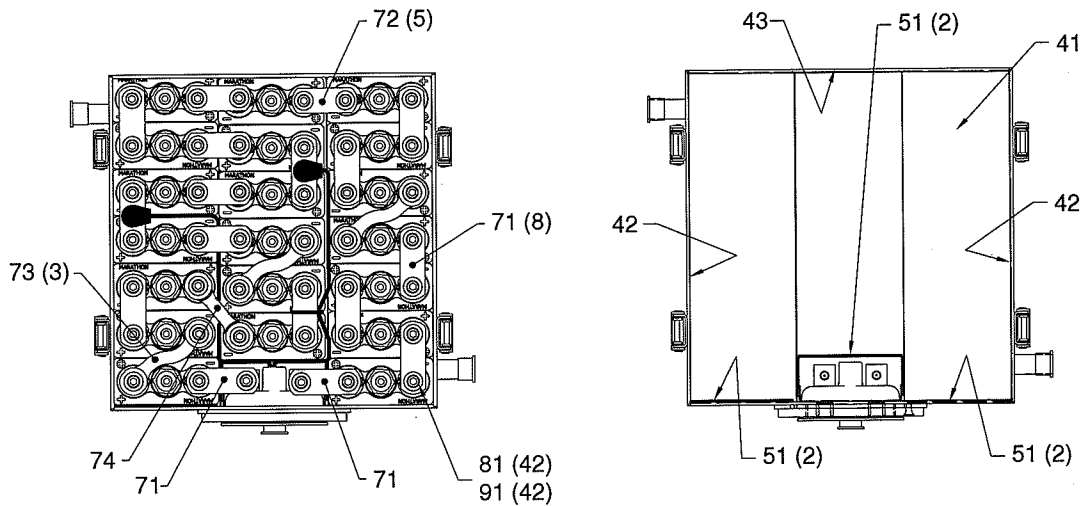


T=TORQUE (IN. LBS.)
EXPLODED VIEW

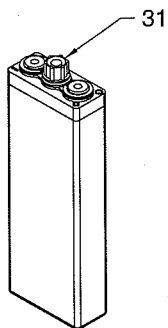
MarathonNorco Aerospace

PO Box 8233, Waco, Texas 76714-8233
 8301 Imperial Dr., Waco, Texas 76712
 Phone (254) 776-0650 / Fax (254) 776-6558

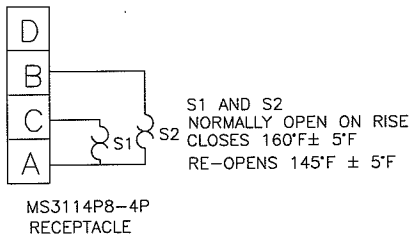
IPL-1054



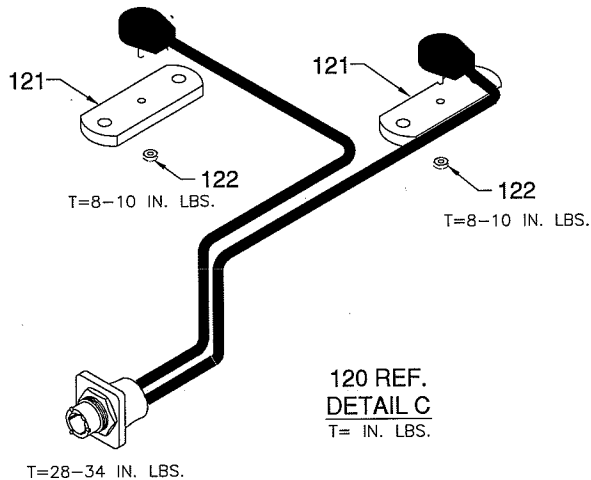
40-90 REF
DETAIL A



DETAIL B
30 REF



SCHEMATIC



120 REF.
DETAIL C
T= IN. LBS.

DETAIL VIEWS

MarathonNorco Aerospace

PO Box 8233, Waco, Texas 76714-8233
8301 Imperial Dr., Waco, Texas 76712
Phone (254) 776-0650 / Fax (254) 776-6558

ILLUSTRATED PARTS LIST

Figure item	Part Number	Nomenclature	Units Per Assy
-1	33204-002	BATTERY 20-44M ³ 120 M ³ -44-27	1
-10	40616-003	CAN ASSY, MARKED	1
-11	16065-012	DUST CAP (RBF)	3
-20	27291-004	SPACER	1
-30	32637-001	CELL ASSEMBLY, 44M ³ 120	20
31	16934-009	FILLER CAP ASSEMBLY & VENT	20
-40		LINERS	
41	32194-003	LINER, BOTTOM	1
42	32194-002	LINER, SIDE	2
43	32194-004	LINER, CENTER	1
-50		SHIMS	
51	9988-209	SHIM	6
-60		BARRIERS	
-70		CONNECTORS	
71	16102-135	CONNECTOR, BATTERY	10
72	16102-160	CONNECTOR, BATTERY	5
73	16167-006	CONNECTOR, S	3
74	16167-007	CONNECTOR	1
-80		WASHERS	
81	16128-034	BELLEVILLE WASHER	42
-90		SCREWS & NUTS	
91	10488-011	SCREW, SOCKET HD. CAP	42
-100	33305-001	ASSEMBLY COVER LINED	1
-110	16163-023	ASSEMBLY RECEPTACLE	1
-111	24583-001	RING, RECTANGULAR	1
-112	23084-001	SCREW, FL.HD. SEMS	4
-113	26916-006	COVER, INSULATOR M ³ (RBF)	1
-120	32899-001	ASSEMBLY, TEMP. SENSOR	1
121	28847-046	CONNECTOR	2
122	15013-009	NUT, ESNA	2
123	29247-001	TIE, CABLE	1

RBF - REMOVE BEFORE FLIGHT

MarathonNorco Aerospace

PO Box 8233, Waco, Texas 76714-8233
8301 Imperial Dr., Waco, Texas 76712
Phone (254) 776-0650 / Fax (254) 776-6558

IPL-1054