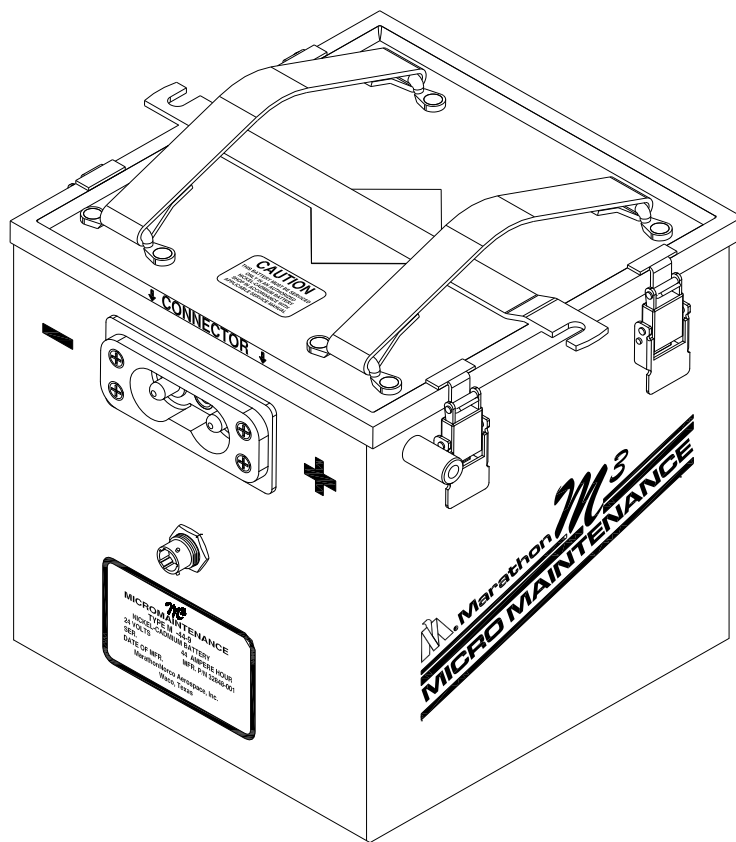




Nickel-Cadmium Aircraft Batteries

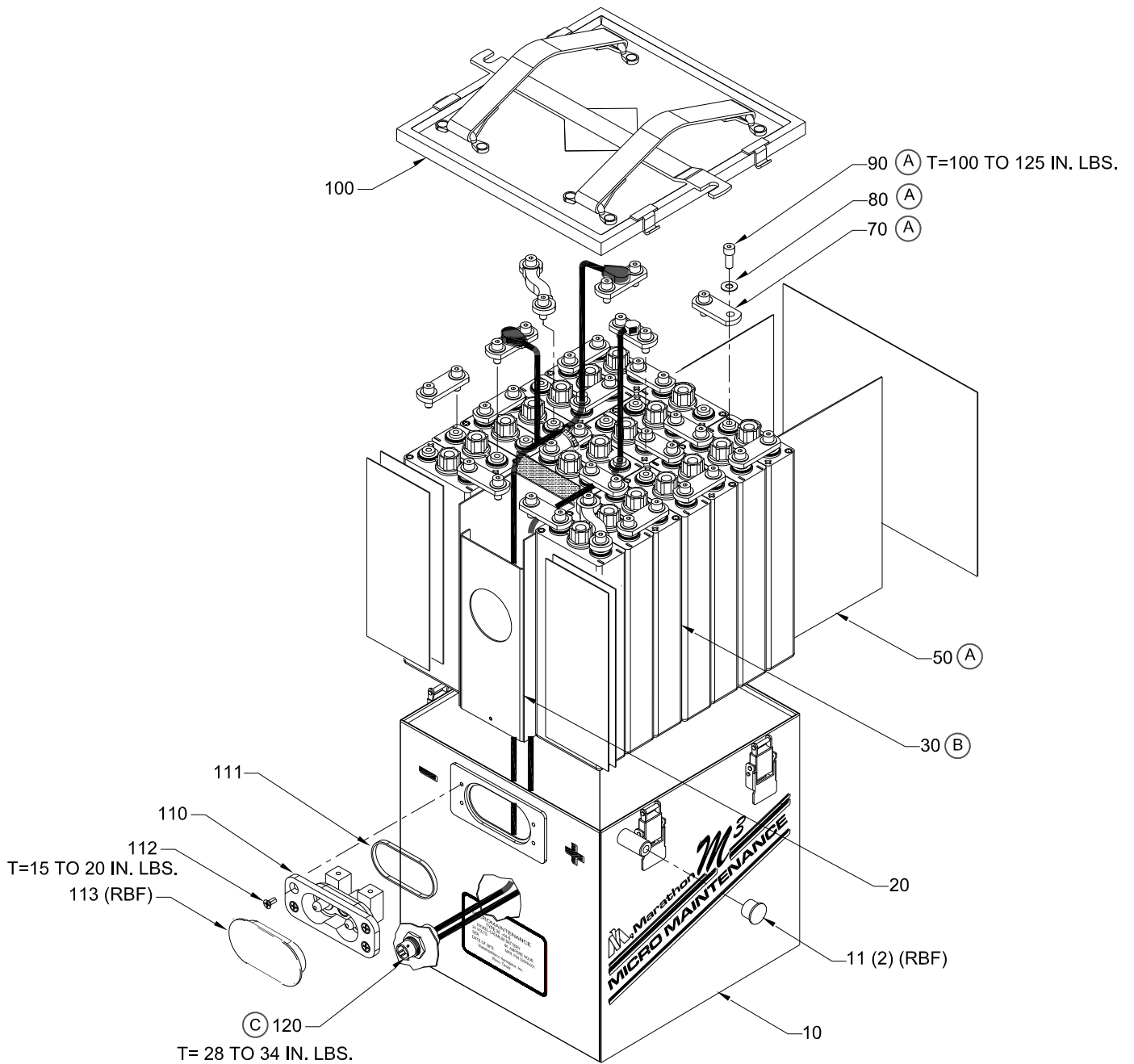
Model M³-44-9 Battery Replacement Parts



**MNAI
Released
July 8, 2011
Non-Controlled**

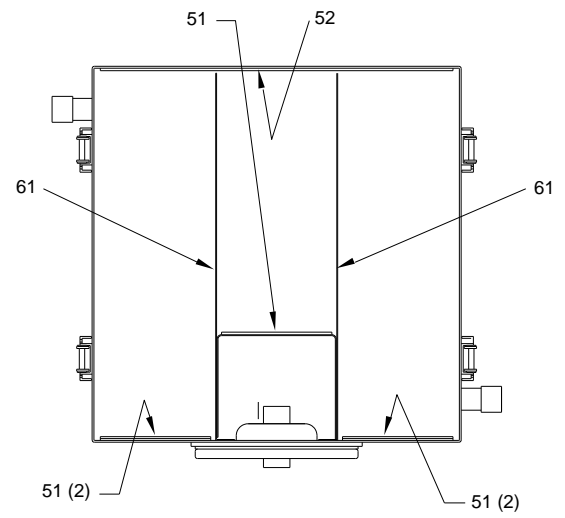
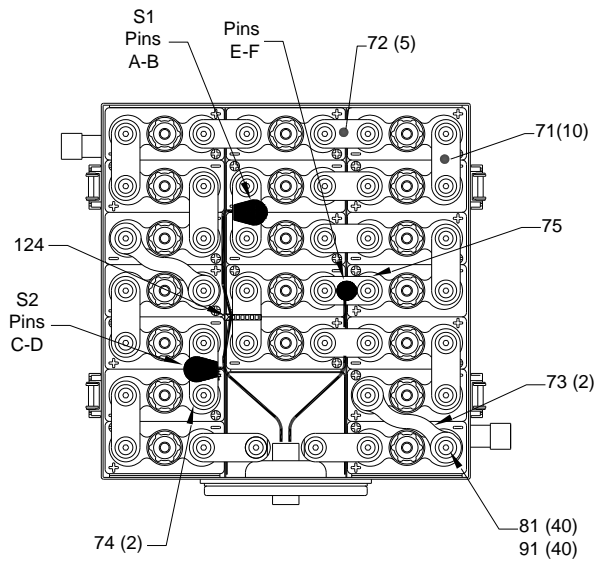
MarathonNorco Aerospace

PO Box 8233, Waco, Texas 76714-8233
8301 Imperial Dr., Waco, Texas 76712
Phone (254) 776-0650 / Fax (254) 776-6558



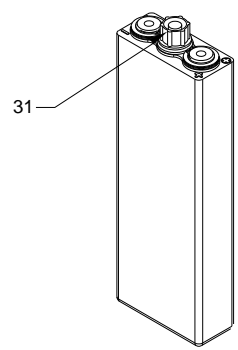
MarathonNorco Aerospace

PO Box 8233, Waco, Texas 76714-8233
 8301 Imperial Dr., Waco, Texas 76712
 Phone (254) 776-0650 / Fax (254) 776-6558

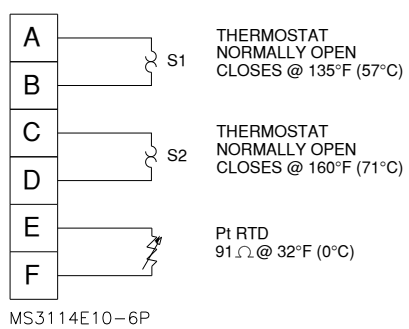


T= 100 -125 IN. LBS.

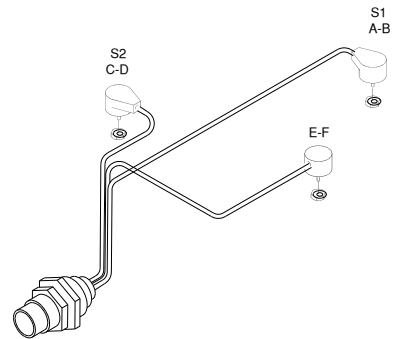
40-121 REF. DETAIL A



30 REF. DETAIL B



TEMP. SENSOR SCHEMATIC



T=28 TO 34 IN. LBS.

120 REF. DETAIL C

ILLUSTRATED PARTS LIST

Figure item	Part Number	Nomenclature	Units Per Assy
1	32848-001	BATTERY, M ³ -44-9 19-44M ³ 120 NI-CD	1
10	40550-001	CAN ASSEMBLY, MARKED	1
11	16065-012	DUST CAP- VENT TUBE (RBF)	2
20	32832-002	SPACER ASSEMBLY	1
-30	32637-001	CELL ASSEMBLY, 44M ³ 120	19
31	16934-009	FILLER CAP ASSEMBLY, V-BAFFLE	19
-40		LINERS	
-50		SHIMS	
51	9988-174	SHIM	5
52	9988-047	SHIM	1
-60		BARRIERS	
61	9988-232	SHIM	2
-70		CONNECTORS	
71	16102-135	CONNECTOR	10
72	16102-136	CONNECTOR	5
73	16167-006	CONNECTOR	2
74	28847-046	CONNECTOR	2
75	28847-055	CONNECTOR, THERMOSTAT MTG	1
80	16128-034	BELLEVILLE WASHER	40
90	10488-011	SCREW, SOCKET HD. CAP	40
100	40325-005	COVER ASSEMBLY, MARKED	1
110	16163-023	RECEPTACLE ASSEMBLY	1
111	24583-001	RING, RECTANGULAR	1
112	23084-001	SCREW, FLAT HD. SEMS	4
113	26916-006	COVER, INSULATOR M ³ (RBF)	1
120	32288-001	TEMPERATURE SENSOR ASSEMBLY	1
124	29247-001	CABLE TIE	1

RBF-REMOVE BEFORE FLIGHT



PO Box 8233, Waco, Texas 76714-8233
8301 Imperial Dr., Waco, Texas 76712
Phone (254) 776-0650 / Fax (254) 776-6558