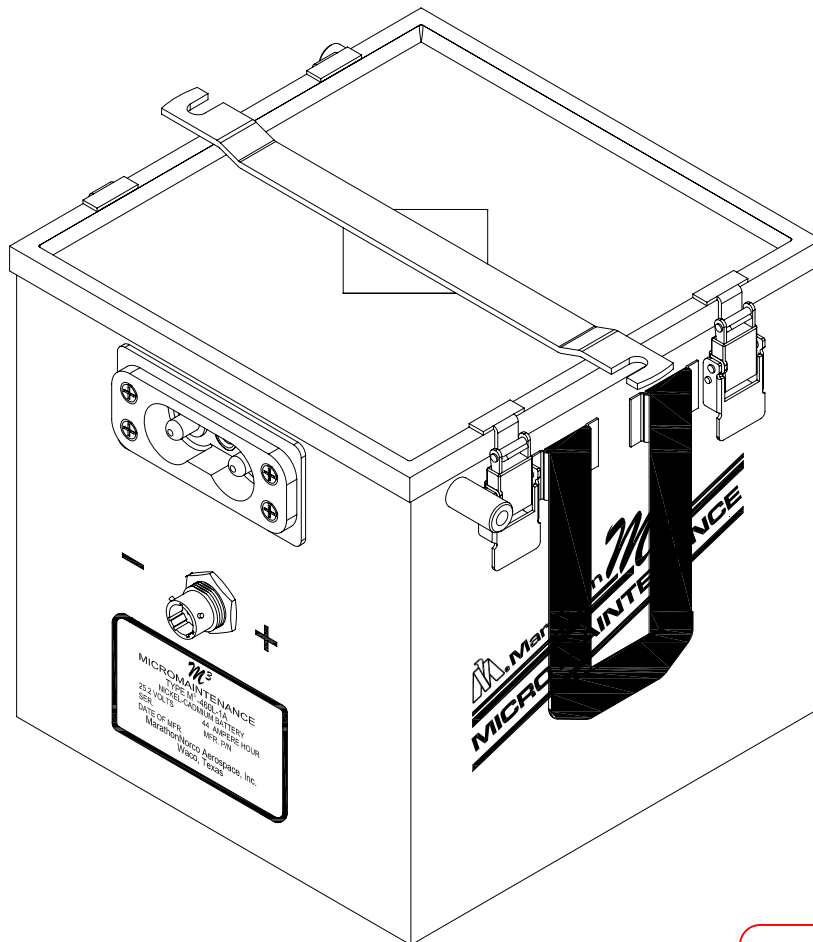




Nickel-Cadmium Aircraft Batteries

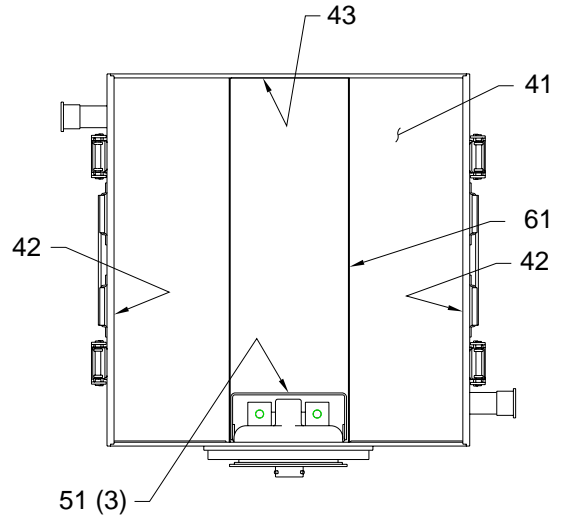
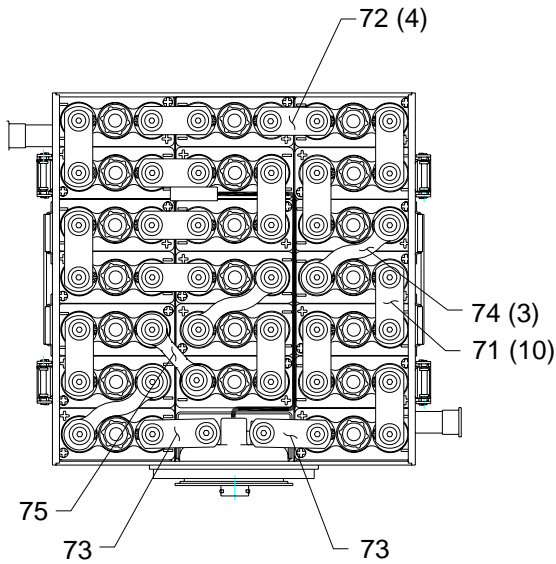
Model M³-460L-1A Battery Replacement Parts



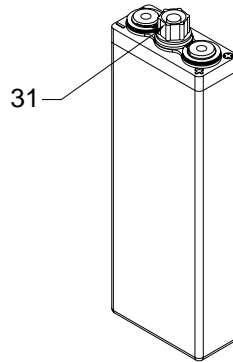
**MNAI
Released
Non-Controlled**

MarathonNorco Aerospace

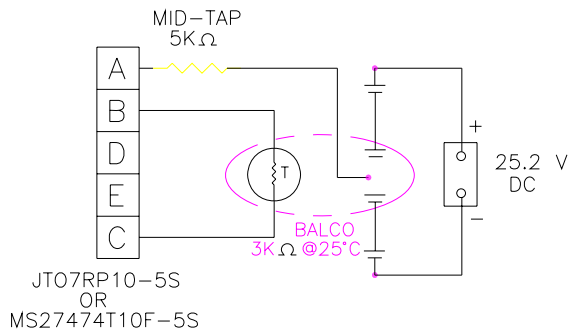
PO Box 8233, Waco, Texas 76714-8233
8301 Imperial Dr., Waco, Texas 76712
Phone (254) 776-0650 / Fax (254) 776-6558



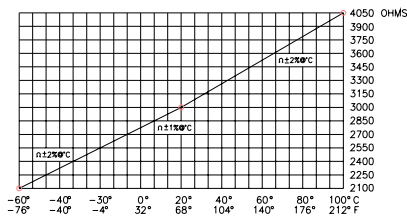
40-70 REF.
DETAIL A



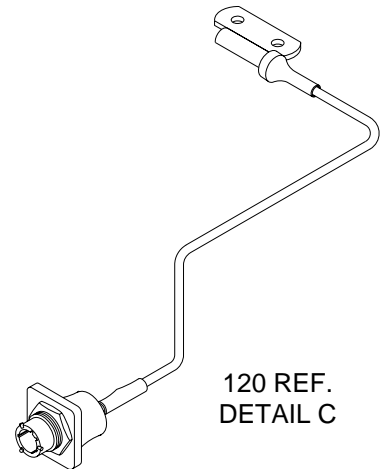
30 REF.
DETAIL B



SCHEMATIC



BALCO TEMPERATURE RESISTOR
CHARACTERISTICS



120 REF.
DETAIL C

MarathonNorco Aerospace

PO Box 8233, Waco, Texas 76714-8233
8301 Imperial Dr., Waco, Texas 76712
Phone (254) 776-0650 / Fax (254) 776-6558

ILLUSTRATED PARTS LIST

Figure item	Part Number	Nomenclature	Units Per Assy
1	31006-006	BATTERY, M ³ -460L-1A 20-44M ³ 120 NI-CD	1
10	40578-003	CAN ASSEMBLY, MARKED	1
11	16065-001	DUST CAP-VENT TUBE (RBF)	2
20	32980-001	ASSEMBLY, SPACER	1
30	32637-001	CELL ASSEMBLY, 44M ³ 120	20
31	16934-009	FILLER CAP, V-BAFFLE	20
-40		LINERS	
41	9988-249	LINER, BOTTOM	1
42	9988-248	LINER, SIDE	2
43	9988-239	LINER, MIDDLE	1
-50		SHIM	
51	9988-085	SHIM	3
-60		BARRIERS	
61	9988-232	SHIM, BARRIER	1
-70		CONNECTOR	
71	16102-131	CONNECTOR	10
72	16102-187	CONNECTOR	4
73	16102-172	CONNECTOR	2
74	16167-006	CONNECTOR S	3
75	16167-007	CONNECTOR	1
80	16128-034	WASHER, BELLEVILLE	42
90	10488-011	SCREW, SOCKET HD. CAP	42
100	40273-002	COVER, MARKED	1
110	16163-023	RECEPTACLE, ASSEMBLY	1
111	24583-001	RING, RECTANGULAR	1
112	23084-001	SCREW, FLAT HD. SEMS	4
113	26916-006	DUST CAP-MAIN ELECTRICAL (RBF)	1
120	31023-005	TEMPERATURE SENSOR	1

RBF - REMOVE BEFORE FLIGHT



PO Box 8233, Waco, Texas 76714-8233
 8301 Imperial Dr., Waco, Texas 76712
 Phone (254) 776-0650 / Fax (254) 776-6558

IPL-1038