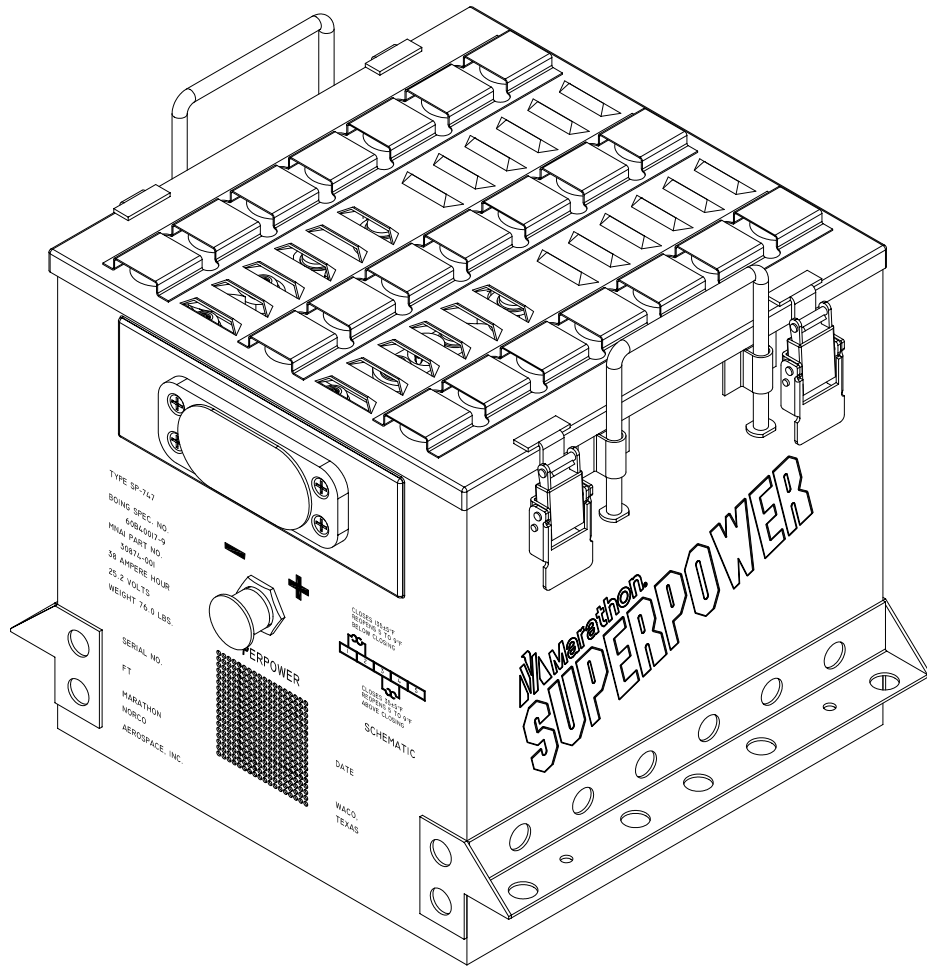
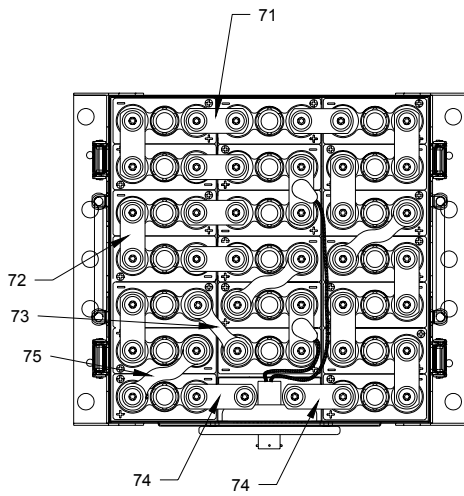


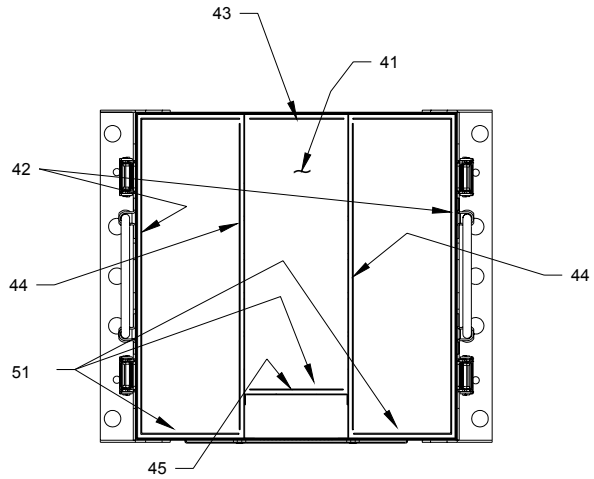
REV	DESCRIPTION	DATE	APPROVED



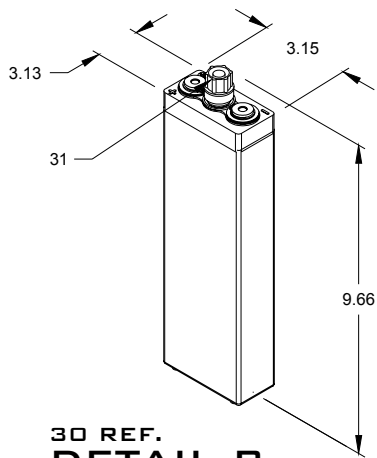
MarathonNorco Aerospace, Inc.		WACO, TEXAS	
APPROVALS	DATE	Illustrated Parts List	
ORIGINATOR A. HITTLE	5-6-04	20-38SP100 SP-747	
CHECKED <i>GBC</i>	5-11-04	SIZE	FSCM
APPROVED <i>GBC</i>	5-11-04	DWG NO	IPL-1035
		REV	
		A	74025
		PMA - YES	SHEET 1 OF 4



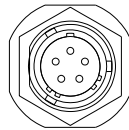
40-70 REF.
DETAIL A



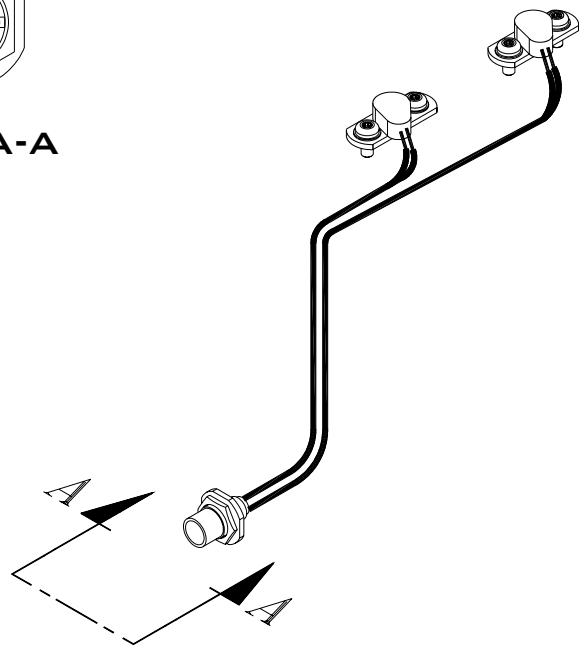
LINERS & SHIMS



30 REF.
DETAIL B



VIEW A-A



120 REF
DETAIL C

1	BLK. WIRES	CLOSES 135°±5° F ↑ REOPENS 5° TO 9° F ↓ BELOW CLOSING
2		
3	WHT. WIRES	CLOSES 35°±5° F ↓ REOPENS 5° TO 9° F ↑ ABOVE CLOSING
4		
5		

48-13R10-5P(102) RECEPTACLE
(MATES WITH 48-16 R10-5S PLUG)

SCHEMATIC

ILLUSTRATED PARTS LIST

Figure item	Part Number	Nomenclature	Units Per Assy
1	30874-001	ASSY, BATTERY 20-38SP100 SP-747 (30933-001)	1
10	40239-001	CAN ASSY, MARKED	1
11	16065-002	DUST CAP (RBF)	1
30	30925-01C	CELL ASSEMBLY, 38SP100 (30926-01C)	20
31	30927-001	FILLER CAP ASSEMBLY & VENT PLUG	20
-40		LINERS	
41	30935-001	LINER, BOTTOM	1
42	30935-003	LINER, SIDE	2
43	30935-002	LINER, END CENTER	1
44	9988-083	LINER, CENTER SIDE	2
45	30935-004	LINER, CENTER FRONT	1
-50		SHIMS	
51	9988-061	SHIM, END 3 1/8 x 8 1/8 x .031	3
-70		CONNECTORS	
71	10371-005	CONNECTOR	5
72	16102-131	CONNECTOR	8
73	16167-007	CONNECTOR (OFFSET)	1
74	16102-199	CONNECTOR	2
75	16167-006	CONNECTOR (OFFSET)	3
90	30877-002	SCREW, SEMS 1/4-28 x 9/16 (T30 TORX)	42
100	31040-001	ASSEMBLY, COVER LINED	1
110	16163-026	ASSEMBLY RECEPTACLE	1
112	23084-001	SCREW, FL.HD. SEMS 8-32 x 3/8	4
113	26916-004	COVER, INSULATOR (RBF)	1
120	30937-001	ASSEMBLY, HARNESS	1

RBF - REMOVE BEFORE FLIGHT