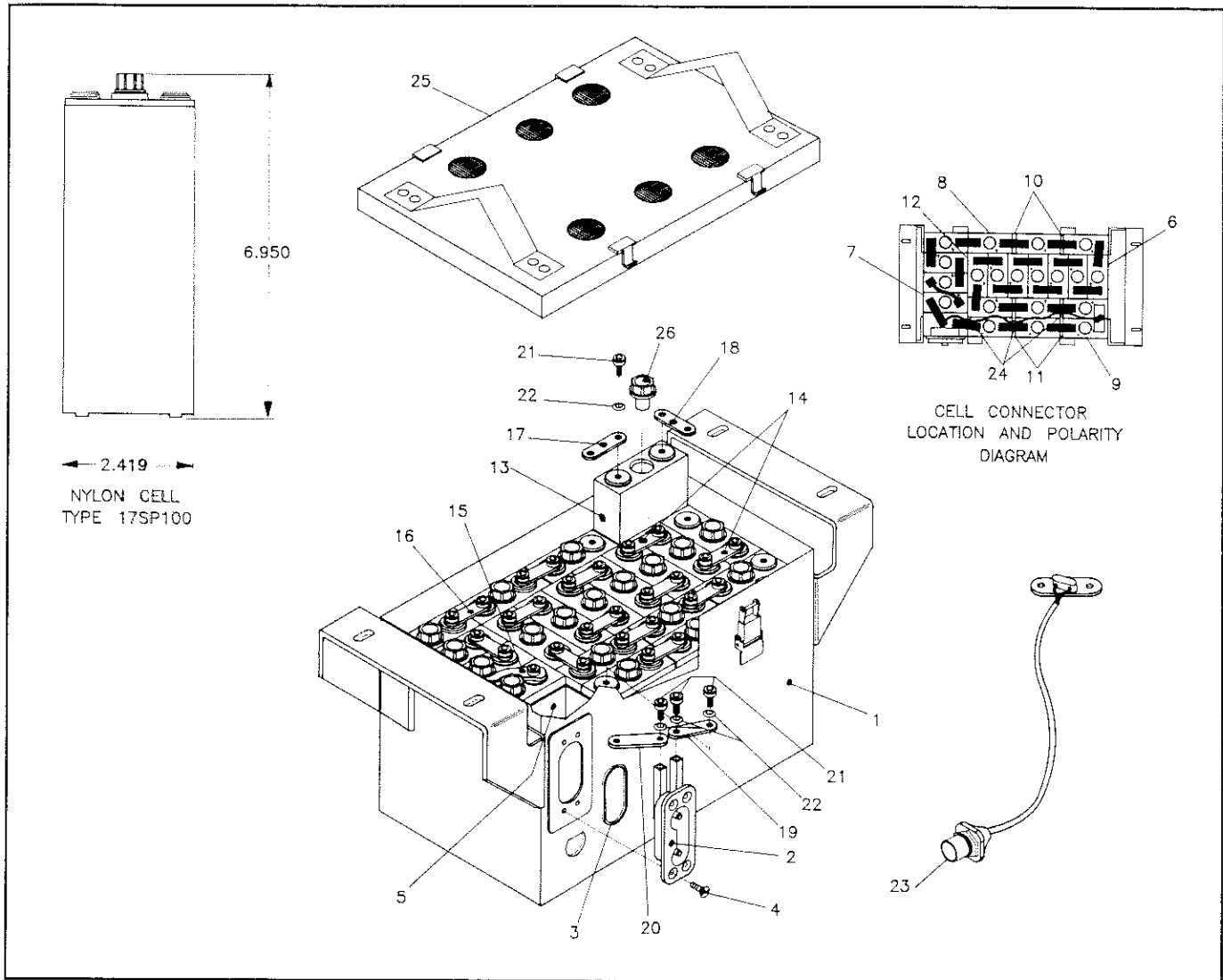


Marathon Power Technologies

Nickel-Cadmium Aircraft Batteries

Model TSP-1757 Battery Replacement Parts



Item	Description	Part Number	Quantity	Item	Description	Part Number	Quantity
1	Car Marked	40339-001	1	14	Connector	10371-144	8
2	Assembly, Receptacle	29000-003	1	15	Connector	16167-012	1
3	Ring Rectangular	24583-001	1	16	Connector	10371-156	1
4	Screw, FH SEMS	23084-001	4	17	Connector	10371-145	6
5	Assembly Spacer	30462-002	1	18	Connector	16102-167	2
6	Shim	9988-198	1	19	Connector	16102-169	1
7	Shim	9988-203	1	20	Connector	16102-170	1
8	Shim	9988-196	1	21	Screw, Soc. Hd.	10488-020	42
9	Shim	9988-200	1	22	Washer, Belleville	16128-028	42
10	Shim	9988-197	9	23	Assembly Harness	30462-002	1
11	Shim	9988-137	9	24	Tie Cable	29247-001	3
12	Barrier	9988-120	1	25	Cover Assembly	40122-002	1
13	Assembly Cell	17SP100	20	26	Filler Cap	25529-004	20

Marathon Power Technologies

Battery Products
 P.O. Box 8233 • Waco, Texas 76714
 8301 Imperial Drive • Waco, Texas 76710
 (817) 776-0650 • TWX 910-5203 MARATHON WAC